



## **KPRO06PWR/GU10**

6w LED, GU10, 35000hrs



## **Product Overview**

Suitable for the most demanding of professional users, Kosnic's KPRO range offers lamps that deliver huge energy savings over halogen lamps without compromising on brightness. The lamps can quickly replace halogen products in accent and general lighting applications, and once in place minimal maintenance is required and rapid payback is achieved. There is also broad compatibility with legacy dimming systems (on dimmable models).

## **Features**

Save energy up to 85% compared with halogen lamps.

Direct replacement of GU10 halogen lamp.

High lumen output.

Long life of 35,000hrs.

Instant start.

---

Unit D2 Kennetside, Bone Lane  
NEWBURY, BERKSHIRE

T: 01635 523 713 E: [sales@kosnic.com](mailto:sales@kosnic.com) W: <http://www.kosnic.com>

Negligible UV output.

Mercury free.

## Specifications

---

<b>Fitting</b>	GU10
<b>Shape / Type</b>	PAR16
<b>Colour Finish</b>	Silver
<b>Optics Type</b>	Prismatic Lens
<b>Wattage (w)</b>	6
<b>Input Current (mA)</b>	47
<b>Input Voltage</b>	220-240Vac
<b>Rated Life (hrs)</b>	35000
<b>Switch Cycles</b>	50000
<b>Beam Angle (°)</b>	45
<b>Dimmable?</b>	No
<b>Retrofit?</b>	Yes
<b>Power Factor</b>	0.55
<b>Start Time (s)</b>	0.3
<b>Warm-up Time (s)</b>	0.5
<b>Length (mm)</b>	54
<b>Width (mm)</b>	50
<b>Depth (mm)</b>	50
<b>Ambient Temperature (°C)</b>	-20 to 40

---

## Energy Label

---

<b>Energy Consumption (kWh/1000h)</b>	6
---------------------------------------	---

---

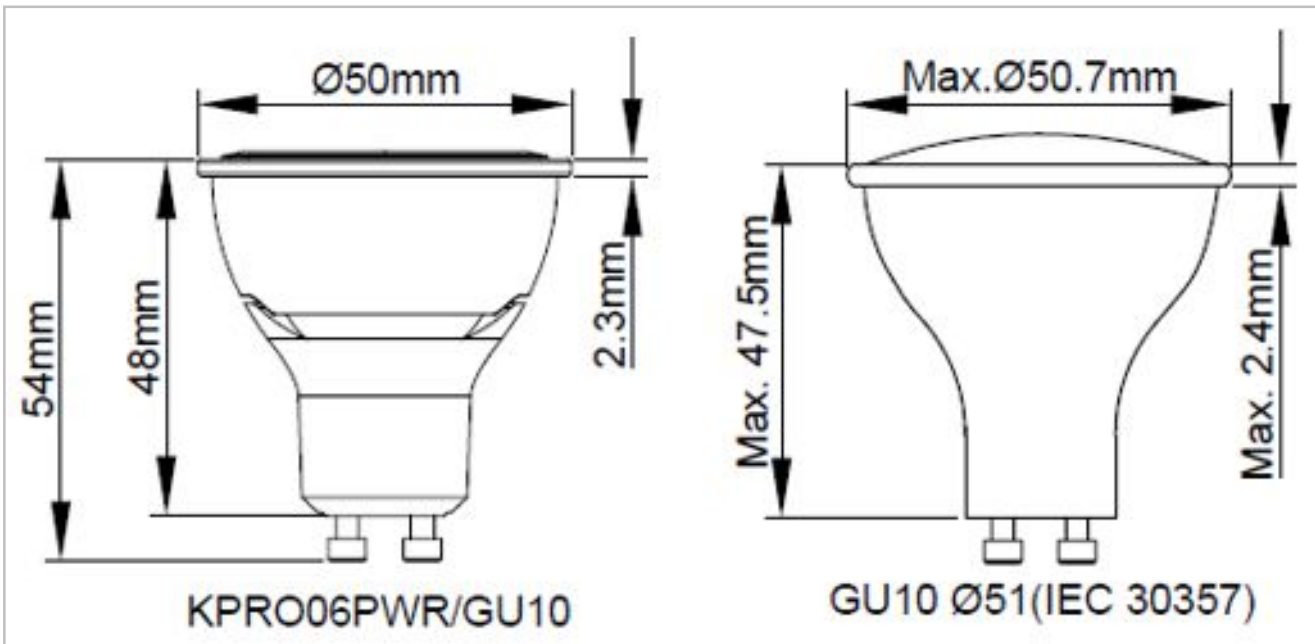
---

Unit D2 Kennetside, Bone Lane  
NEWBURY, BERKSHIRE

T: 01635 523 713 E: sales@kosnic.com W: <http://www.kosnic.com>

# Packaging

Outer Box Length (mm)	575
Outer Box Width (mm)	285
Outer Box Height (mm)	157
Volume	0.025728375
Box Quantity	100



Datasheet generated from <http://www.electrika.com> on Monday, May 8, 2017 10:44:12 AM