

JC45203WH

20W LED Floodlight +PIR IP44 Alu 4000K White



## General Information

<b>Product Group</b>	Floodlight
<b>Product Range</b>	Domestic Exterior
<b>Product Weight</b>	0.68kg
<b>Finishes Available</b>	White
<b>Overall Dimensions</b>	184.2 x 55.5 x 232mm
<b>Recommended Product Location</b>	Exterior, general security lighting
<b>Method Of Fix</b>	Mounting Bracket with suitable fixings (not supplied)
<b>Ingress Protection (IP)</b>	IP44
<b>Origin Of Manufacture</b>	China
<b>Guarantee</b>	3 Years

### JCC Lighting

Innovation Centre, Beeding Close, Southern Cross

Trading Estate, Bognor Regis, West Sussex, PO22 9TS

Company Registration Number: 03044848 | VAT Number: 918544112

T: 01243 838999 | F: 01243 838998 | [sales@jcc.co.uk](mailto:sales@jcc.co.uk) | [www.jcc.co.uk](http://www.jcc.co.uk)

---

<b>LED Manufacturer/Type</b>	Wincens Optoelectronics
------------------------------	-------------------------

---

## Electrical

---

<b>Input Voltage (V)</b>	220-240V~
--------------------------	-----------

---

<b>Operating Frequency (Hz)</b>	50Hz
---------------------------------	------

---

<b>CC or CV</b>	CC
-----------------	----

---

<b>Luminaire Circuit Wattage</b>	20W
----------------------------------	-----

---

<b>Class</b>	Class I
--------------	---------

---

<b>Total Harmonic Distortion (THD)%</b>	1.856
---	-------

---

<b>EMC Compliant (EN55015)</b>	Yes
--------------------------------	-----

---

<b>Power Factor Correction</b>	0.5
--------------------------------	-----

---

## Thermals

---

<b>Room Ambient Temperature Not To Exceed</b>	45°C
---	------

---

<b>Operating Temperature Range</b>	-20°C to 40°C
------------------------------------	---------------

---

## Performance Data

---

<b>Lumen Output</b>	2100
---------------------	------

---

<b>Lumens Per Circuit Watt</b>	105
--------------------------------	-----

---

<b>Lamp Life (Hours)</b>	36000
--------------------------	-------

---

<b>CRI: Ra</b>	70
----------------	----

---

<b>Colour Temperature (K)</b>	4000K
-------------------------------	-------

---

<b>Luminaire Beam Angle</b>	110°
-----------------------------	------

---

<b>Photometry Available</b>	Yes
-----------------------------	-----

---

## Construction

---

<b>Main Chassis</b>	Aluminium
---------------------	-----------

---

### JCC Lighting

Innovation Centre, Beeding Close, Southern Cross

Trading Estate, Bognor Regis, West Sussex, PO22 9TS

Company Registration Number: 03044848 | VAT Number: 918544112

T: 01243 838999 | F: 01243 838998 | [sales@jcc.co.uk](mailto:sales@jcc.co.uk) | [www.jcc.co.uk](http://www.jcc.co.uk)

---

<b>Diffuser</b>	Polycarbonate
-----------------	---------------

---

## Packaging

---

<b>Luminaire Carton Dimensions</b>	19 x 6.4 x 24cm
------------------------------------	-----------------

---

<b>Quantity Per Outer Carton</b>	20
----------------------------------	----

---

<b>Bar Code EAN Number</b>	5052544079917
----------------------------	---------------

---

<b>Packaged Weight</b>	0.69kg
------------------------	--------

---

## Standards & Approvals

---

<b>Manufactured In Accordance To</b>	BS60598-2-2015
--------------------------------------	----------------

---

<b>CE Marked</b>	Yes
------------------	-----

---

<b>Batch Coded</b>	Yes
--------------------	-----

---

<b>Certificate Of Conformity</b>	Yes, available on request
----------------------------------	---------------------------

---

<b>Accredited Members</b>	LIA, ISO9001:2015, ISO14001:2015
---------------------------	----------------------------------

---

Datasheet generated from <https://www.electrika.cloud> on 08 March 2018 03:03:10

---

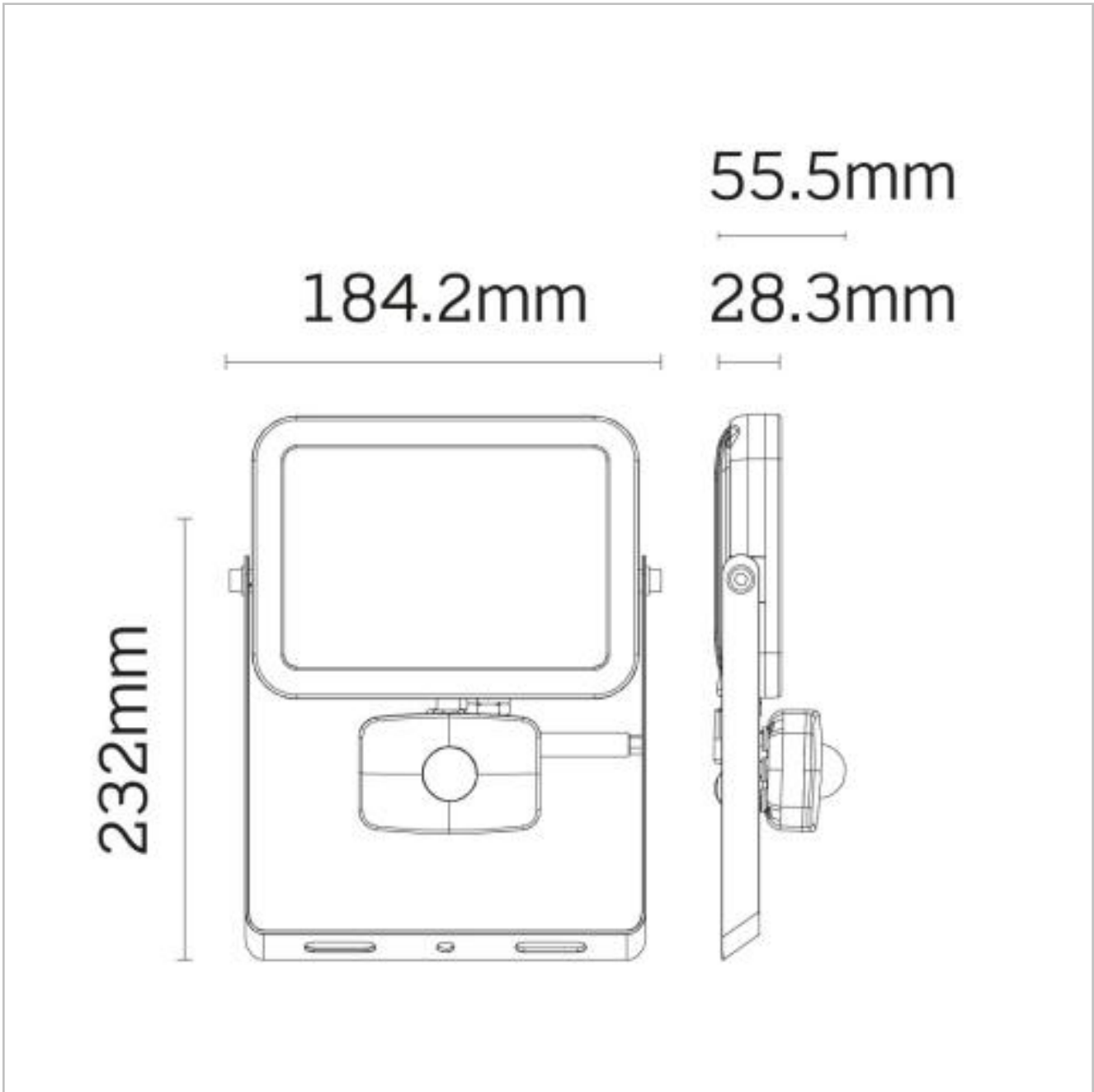
### JCC Lighting

Innovation Centre, Beeding Close, Southern Cross

Trading Estate, Bognor Regis, West Sussex, PO22 9TS

Company Registration Number: 03044848 | VAT Number: 918544112

T: 01243 838999 | F: 01243 838998 | [sales@jcc.co.uk](mailto:sales@jcc.co.uk) | [www.jcc.co.uk](http://www.jcc.co.uk)



**JCC Lighting**

Innovation Centre, Beeding Close, Southern Cross

Trading Estate, Bognor Regis, West Sussex, PO22 9TS

Company Registration Number: 03044848 | VAT Number: 918544112

T: 01243 838999 | F: 01243 838998 | [sales@jcc.co.uk](mailto:sales@jcc.co.uk) | [www.jcc.co.uk](http://www.jcc.co.uk)