



RLGLF04

4w Reon LED Golf, 20000hrs



Product Overview

The Reon range from Kosnic is a selected line of 20,000 hour, energy saving retrofit LED lamps. Reliable, affordable and easy to install, Reon LEDs surpass the high quality standards that home owners and professionals demand for lower cost applications.

Features

Popular B22, E14 and E27 caps.

Save energy up to 85% compared with filament lamp.

High lumen output.

Long life of 20,000h.

Instant start.

Negligible UV output.

Mercury free.

Safety and Maintenance

Switch off supply and allow cooling before handling lamp.

Use in totally enclosed fittings will reduce lamp life.

Do not dispose of lamp in household waste.

Dispose of in appropriate section of local civic amenity site or recycling centre.

Specifications

	RLGLF04B22-30-N	RLGLF04E14-30-N	RLGLF04E27-30-N
Fitting	B22	E14	E27
Shape / Type	Golf	Golf	Golf
Colour Finish	White	White	White
Optics Type	Frosted	Frosted	Frosted
Wattage (w)	4	4	4
Equivalent Wattage (w)	30	30	30
Total Lumens (lm)	320	320	320
Input Current (mA)	33	33	33
Input Voltage	220-240Vac	220-240Vac	220-240Vac
CCT Temperature (k)	3000	3000	3000
CCT Name	Warm White	Warm White	Warm White
Rated Life (hrs)	20000	20000	20000
Nominal Lifetime (hrs)	20000	20000	20000
Switch Cycles	50000	50000	50000
Peak Candelas (cd)	30	30	30
CRI	82	82	82
Dimmable	No	No	No
Retrofit	Yes	Yes	Yes
Power Factor	0.52	0.52	0.52
Start Time (s)	0.45	0.45	0.45
Warm-up Time (s)	Instant full light	Instant full light	Instant full light
Length (mm)	73	80	74
Width (mm)	45	45	45
Depth (mm)	45	45	45

Unit D2 Kennetside, Bone Lane
NEWBURY, BERKSHIRE

T: 01635 523 713 E: sales@kosnic.com W: <http://www.kosnic.com>

Mercury (mg)	0	0	0
Clean-up instructions	N/A	N/A	N/A
Rated Power (W)	4.00	4.00	4.00
Rated Luminous Flux (lm)	320	320	320
LMF at Lifetime	0.75	0.75	0.75
SDCM of CCT	<6	<6	<6
Ambient Temperature (°C)	-20 to 40	-20 to 40	-20 to 40

Product Markings

	RLGLF04B22-30-N	RLGLF04E14-30-N	RLGLF04E27-30-N
Manufacturer	REON	REON	REON
Product Code	RLGLF04B22-30-N	RLGLF04E14-30-N	RLGLF04E27-30-N
Voltage	220-240Vac 50-60Hz	220-240Vac 50-60Hz	220-240Vac 50-60Hz
Nominal Power (W)	4	4	4
Current (mA)	33	33	33
CE Mark	Yes	Yes	Yes
WEEE Mark	Yes	Yes	Yes
Batch Code	Yes	Yes	Yes

Energy Label

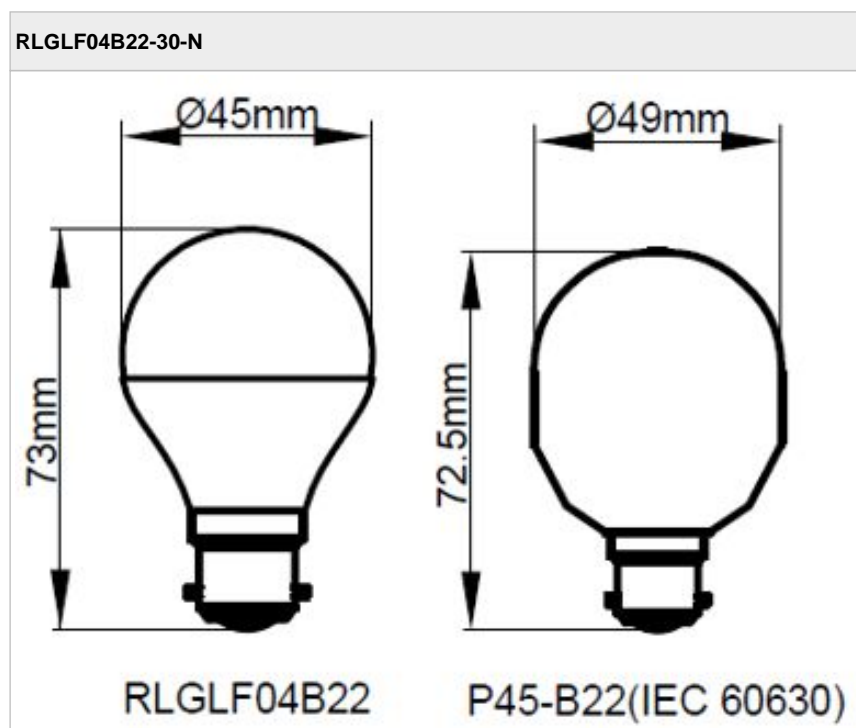
	RLGLF04B22-30-N	RLGLF04E14-30-N	RLGLF04E27-30-N
Manufacturer	REON	REON	REON
Product Code	RLGLF04B22-30-N	RLGLF04E14-30-N	RLGLF04E27-30-N
Energy Class	A+	A+	A+
Energy Consumption (kWh/1000h)	4	4	4

Unit D2 Kennetside, Bone Lane
NEWBURY, BERKSHIRE

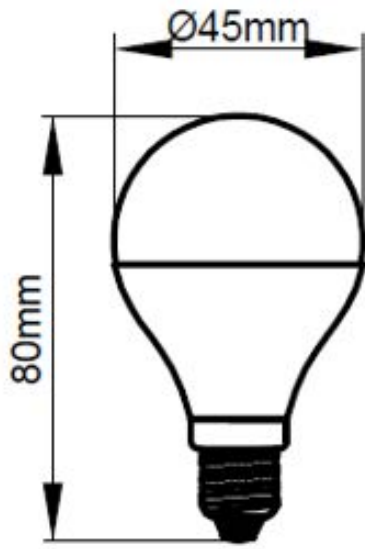
T: 01635 523 713 E: sales@kosnic.com W: <http://www.kosnic.com>

Packaging

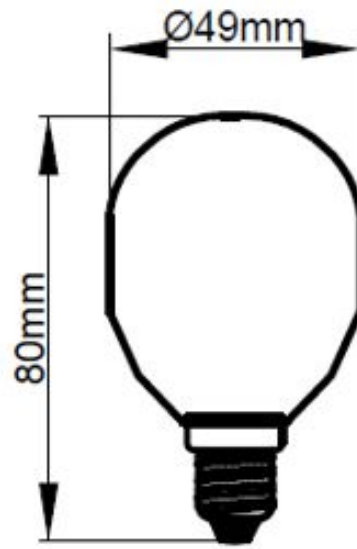
	RLGLF04B22-30-N	RLGLF04E14-30-N	RLGLF04E27-30-N
UPC Code	0609207990543	0609207990550	0609207990567
Outer Box Length (mm)	540	540	540
Outer Box Width (mm)	265	265	265
Outer Box Height (mm)	125	125	125
Volume	0.0178875	0.0178875	0.0178875
Box Quantity	50	50	50
Outer Box Weight (kg)	3.1	3.1	3.1



RLGLF04E14-30-N

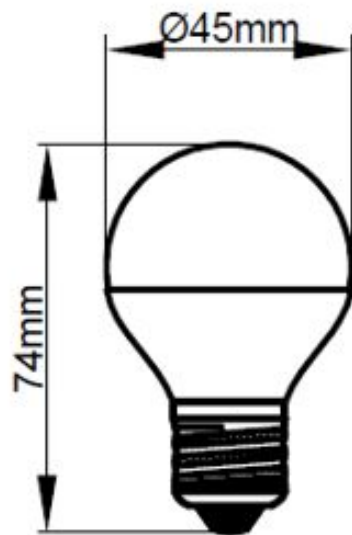


RLGLF04E14

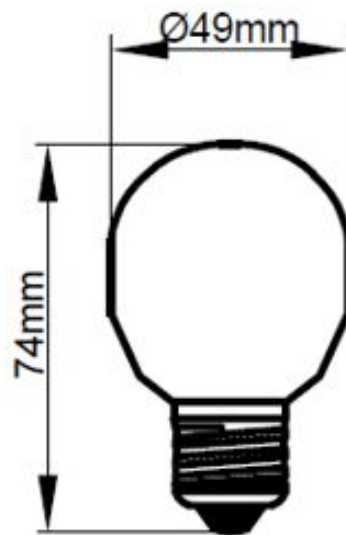


P45-E14(IEC 60630)

RLGLF04E27-30-N

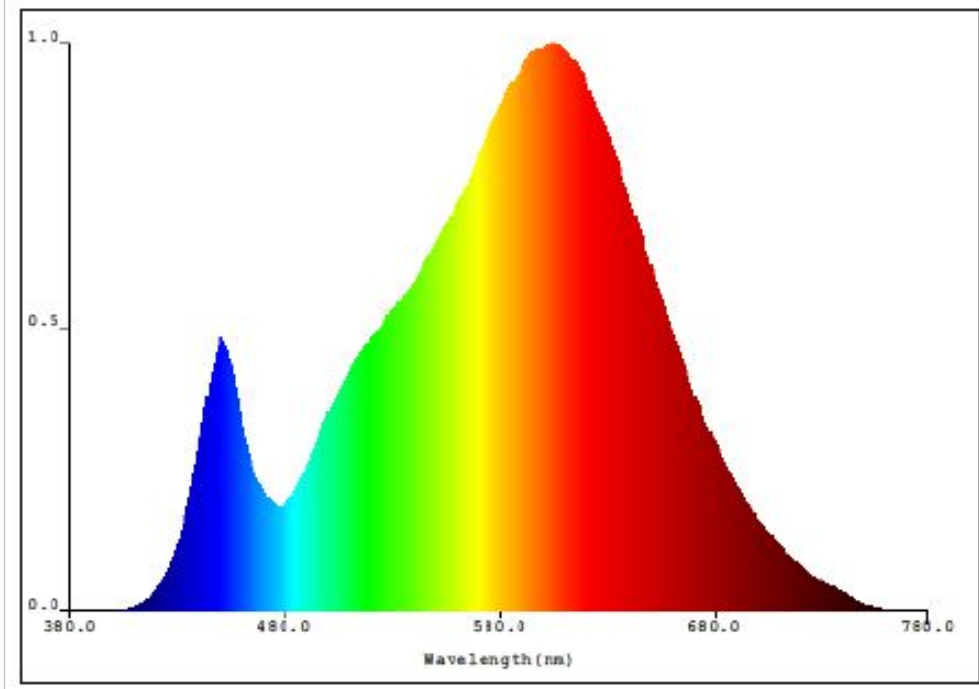


RLGLF04E27



P45-E27(IEC 60630)

RLGLF04B22-30-N
RLGLF04E14-30-N
RLGLF04E27-30-N



Datasheet generated from <http://www.electrika.com> last updated Friday, November 17, 2017 3:10:27 PM