



## **KSMD05PWR/GU10-F**

5w SMD LED, GU10, 60°, 30000hrs



## **Product Overview**

The KTC-SMD range is perfect for home, office and hospitality settings with all the environmental and financial benefits of LED technology. A direct retrofit for standard halogen GU10 lamps, the SMD range provides a choice of wattages. Each SMD lamp blends into decorative fittings with a stylish lamp body, while PPS Thermally Conductive Plastic provides excellent heat dissipation and electrical insulation making them the ideal choice for many installations.

## Features

Save energy up to 90% compared with halogen lamp.

Direct replacement of halogen GU10 lamp.

60° beam angles.

High lumen output.

Long life of 30,000h.

Instant start.

Negligible UV output.

Mercury free.

## Safety and Maintenance

Do not use in totally enclosed fittings as this may reduce lamp life.

Switch off supply before installing or removing lamp. Allow to cool before handling.

Do not dispose of in household waste.

Dispose of in appropriate section of local civic amenity site or recycling centre.

# Specifications

	KSMD05PWR/GU10-F30	KSMD05PWR/GU10-F40	KSMD05PWR/GU10-F65
<b>Fitting</b>	GU10	GU10	GU10
<b>Shape / Type</b>	PAR16	PAR16	PAR16
<b>Colour Finish</b>	Silver	Silver	Silver
<b>Materials</b>	PPS Thermally Conductive Plastic	PPS Thermally Conductive Plastic	PPS Thermally Conductive Plastic
<b>Optics Type</b>	Reflector	Reflector	Reflector
<b>Wattage (w)</b>	5	5	5
<b>Equivalent Wattage (w)</b>	46	46	46
<b>Useful Lumens (lm)</b>	310	310	310
<b>Total Lumens (lm)</b>	470	470	470
<b>Input Current (mA)</b>	40	40	40
<b>Input Voltage</b>	220-240Vac	220-240Vac	220-240Vac
<b>CCT Temperature (k)</b>	3000	4000	6500
<b>CCT Name</b>	Warm White	Cool White	Day Light
<b>Rated Life (hrs)</b>	30000	30000	30000
<b>Nominal Lifetime (hrs)</b>	30000	30000	30000
<b>Switch Cycles</b>	50000	50000	50000
<b>Peak Candelas (cd)</b>	300	300	300
<b>Beam Angle (°)</b>	60	60	60
<b>CRI</b>	81	82	83
<b>Dimmable?</b>	No	No	No
<b>Retrofit?</b>	Yes	Yes	Yes
<b>Suitable for Accent Lighting</b>	Yes	Yes	Yes
<b>Power Factor</b>	0.54	0.54	0.54

<b>Start Time (s)</b>	0.4	0.4	0.4
<b>Warm-up Time (s)</b>	Instant full light	Instant full light	Instant full light
<b>Length (mm)</b>	54	54	54
<b>Width (mm)</b>	50	50	50
<b>Depth (mm)</b>	50	50	50
<b>Mercury (mg)</b>	0	0	0
<b>Clean-up instructions</b>	N/A	N/A	N/A
<b>Rated Power (W)</b>	5.0	5.0	5.0
<b>Rated Useful Luminous Flux (lm)</b>	310	310	310
<b>LMF at Lifetime</b>	0.75	0.75	0.75
<b>SDCM of CCT</b>	<6	<6	<6
<b>Ambient Temperature (°C)</b>	-20 to 40	-20 to 40	-20 to 40

## Product Markings

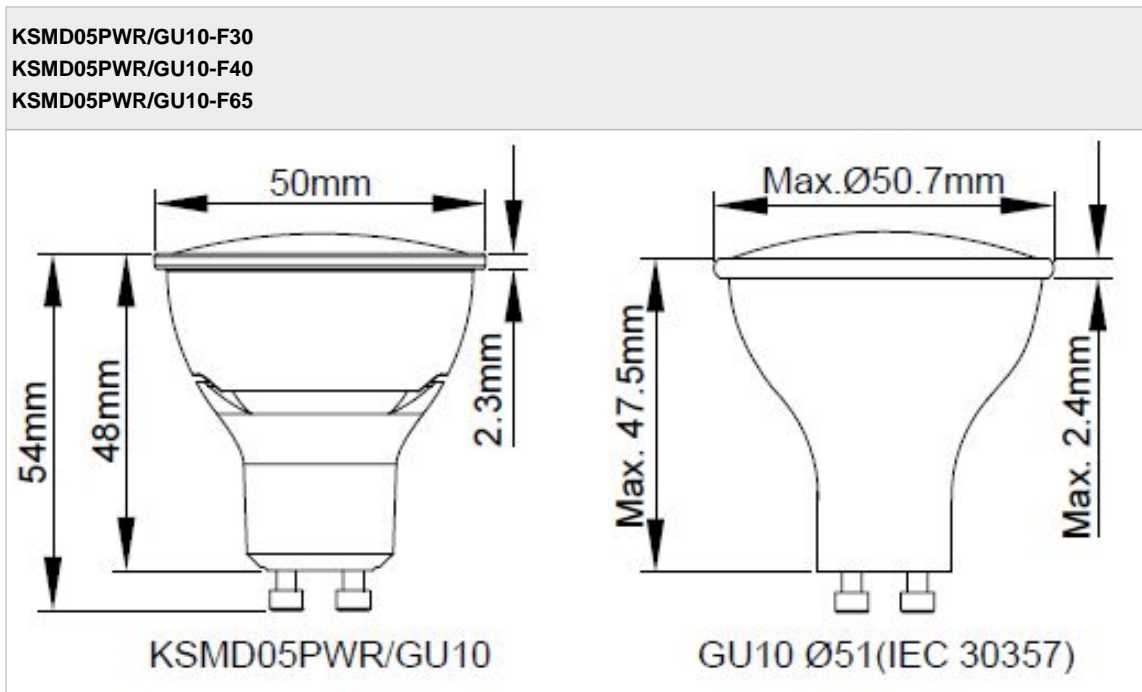
	KSMD05PWR/GU10-F30	KSMD05PWR/GU10-F40	KSMD05PWR/GU10-F65
<b>Manufacturer</b>	Kosnic	Kosnic	Kosnic
<b>Product Code</b>	KSMD05PWR/GU10-F30	KSMD05PWR/GU10-F40	KSMD05PWR/GU10-F65
<b>Volts (V)</b>	220-240Vac 50-60Hz	220-240Vac 50-60Hz	220-240Vac 50-60Hz
<b>Nominal Watts (W)</b>	5	5	5
<b>Current (mA)</b>	40	40	40
<b>Nominal Useful Luminous Flux (lm)</b>	310	310	310
<b>CCT (K)</b>	3000	4000	6500
<b>Beam Angle (°)</b>	60	60	60
<b>CE Mark</b>	Yes	Yes	Yes
<b>WEEE Mark</b>	Yes	Yes	Yes
<b>Batch Code</b>	Yes	Yes	Yes

## Energy Label

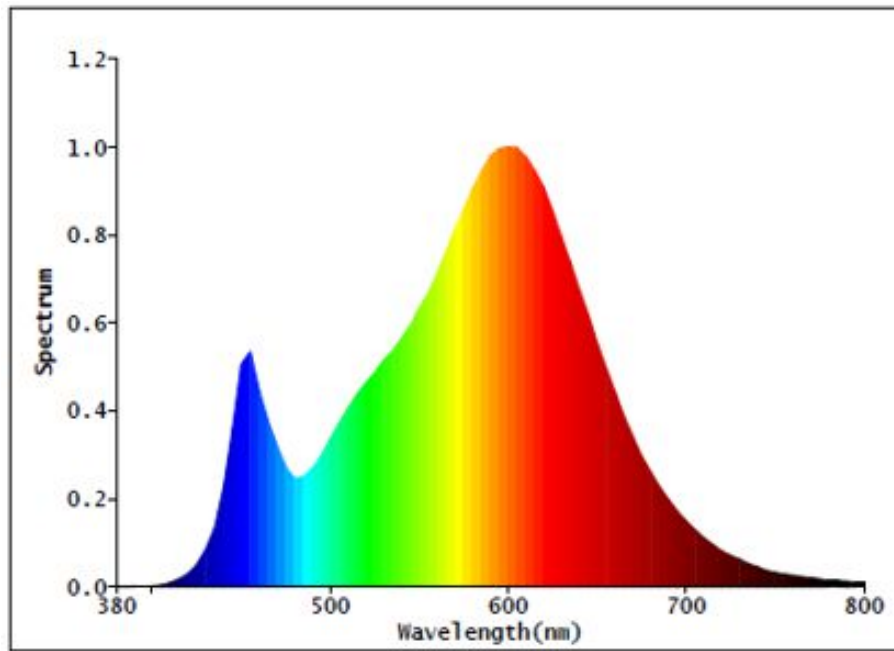
	KSMD05PWR/GU10-F30	KSMD05PWR/GU10-F40	KSMD05PWR/GU10-F65
<b>Manufacturer</b>	Kosnic	Kosnic	Kosnic
<b>Product Code</b>	KSMD05PWR/GU10-F30	KSMD05PWR/GU10-F40	KSMD05PWR/GU10-F65
<b>Energy Class</b>	A+	A+	A+
<b>Energy Consumption (kWh/1000h)</b>	5	5	5

# Packaging

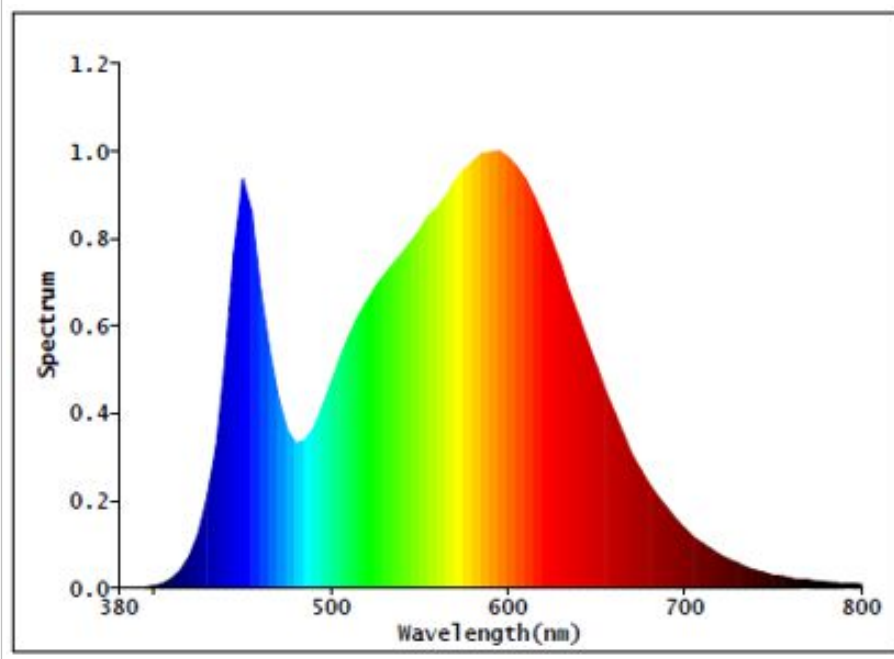
	KSMD05PWR/GU10-F30	KSMD05PWR/GU10-F40	KSMD05PWR/GU10-F65
<b>UPC Code</b>	0609207993926	0609207993933	0609207993940
<b>Outer Box Length (mm)</b>	575	575	575
<b>Outer Box Width (mm)</b>	285	285	285
<b>Outer Box Height (mm)</b>	157	157	157
<b>Volume</b>	0.025728375	0.025728375	0.025728375
<b>Box Quantity</b>	100	100	100
<b>Outer Box Weight/kg</b>	7	6.8	6.8

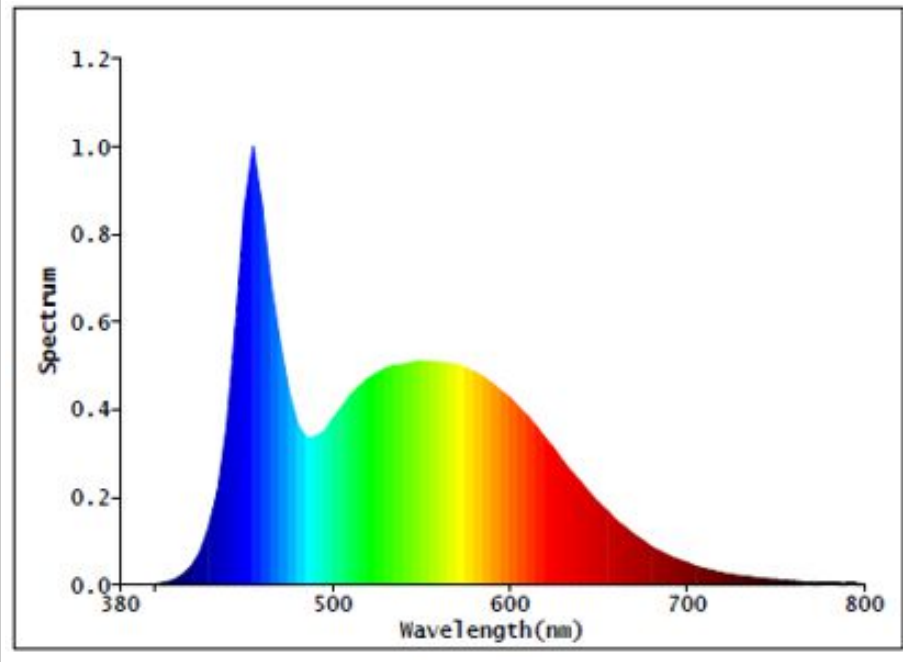


KSMD05PWR/GU10-F30



KSMD05PWR/GU10-F40





Datasheet generated from <http://www.electrika.com> last updated Tuesday, June 6, 2017 8:28:48 AM