



KDFL04G125-GLD

4W LED Dimmable Antique Filament G125, Gold



Product Overview

The KTC Dimmable LED Antique Filament lamp has a special coating with a golden finish that shifts the light to a warmer colour temperature of 2700K giving an antique appearance and creating a warm and cosy living space. It is also highly functional and efficient, offering huge energy savings over filament lamps without compromising on brightness. The lamps can quickly replace filament products in domestic and hospitality lighting applications, and once in place rapid payback is achieved.

Features

Dimmable

Linear LED filament provides a traditional appearance

Even light distribution

Popular B22 and E27 caps

Save energy up to 88% compared with an incandescent filament lamp

High lumen output, up to 100lm/W

Long life of 20,000h

Instant start

Negligible UV output

Safety and Maintenance

Switch off supply before installing or removing lamp. Allow to cool before handling.

Do not use in totally enclosed fittings as this will reduce lamp life.

Do not dispose of in household waste.

Dispose of in appropriate section of local civic amenity site or recycling centre.

Unit D2 Kennetside, Bone Lane

Newbury, Berkshire

T: 01635 523 713 E: sales@kosnic.com W: <http://www.kosnic.com>

Specifications

	KDFL04G125/B22-GLD-N27	KDFL04G125/E27-GLD-N27
Fitting	B22	E27
Shape / Type	G125	G125
Colour Finish	Gold	Gold
Optics Type	Golden Coating	Golden Coating
Nominal Power (W)	4	4
Equivalent Wattage (w)	35	35
Total Lumens (lm)	400	400
Input Current (mA)	30	30
Input Voltage	220-240Vac 50-60Hz	220-240Vac 50-60Hz
CCT Temperature (k)	2700	2700
CCT Name	Warm White	Warm White
Rated Life (hrs)	20000	20000
Nominal Lifetime (hrs)	20000	20000
Switch Cycles	50000	50000
CRI	80	80
Dimmable	Yes	Yes
Retrofit	Yes	Yes
Power Factor	0.58	0.58
Start Time (s)	0.10	0.10
Warm-up Time (s)	Instant full light	Instant full light
Length (mm)	175	175
Diameter (mm)	125	125
Mercury (mg)	0	0
Clean-up instructions	N/A	N/A

Unit D2 Kennetside, Bone Lane
Newbury, Berkshire

T: 01635 523 713 E: sales@kosnic.com W: <http://www.kosnic.com>

Rated Power (W)	4.0	4.0
Rated Luminous Flux (lm)	400	400
LMF at Lifetime	0.75	0.75
SDCM of CCT	<6	<6
Ambient Temperature (°C)	-20 to 40	-20 to 40
Barcode	5060063428147	5060063428192

Product Markings

	KDFL04G125/B22-GLD-N27	KDFL04G125/E27-GLD-N27
Manufacturer	Kosnic	Kosnic
Product Code	KDFL04G125/B22-GLD-N27	KDFL04G125/E27-GLD-N27
Voltage	220-240Vac 50-60Hz	220-240Vac 50-60Hz
Nominal Power (W)	4	4
Current (mA)	30	30
CE Mark	Yes	Yes
WEEE Mark	Yes	Yes
Batch Code	Yes	Yes

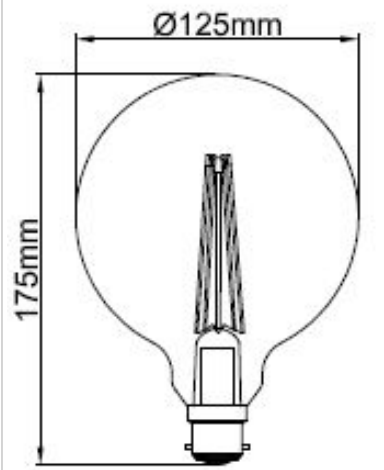
Energy Label

	KDFL04G125/B22-GLD-N27	KDFL04G125/E27-GLD-N27
Manufacturer	Kosnic	Kosnic
Product Code	KDFL04G125/B22-GLD-N27	KDFL04G125/E27-GLD-N27
Energy Class	A++	A++
Energy Consumption (kWh/1000h)	4	4

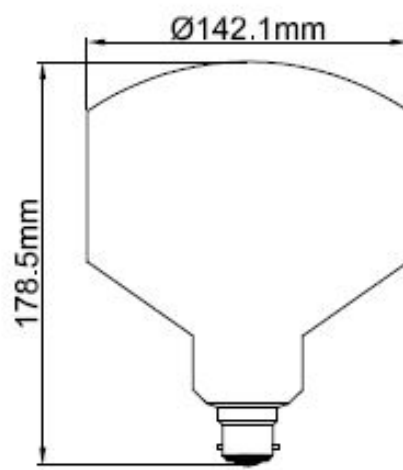
Packaging

	KDFL04G125/B22-GLD-N27	KDFL04G125/E27-GLD-N27
Outer Box Length (mm)	660	660
Outer Box Width (mm)	395	395
Outer Box Height (mm)	200	200
Volume	0.05214	0.05214
Box Quantity	15	15
Outer Box Weight (kg)	3.9	3.9

KDFL04G125/B22-GLD-N27

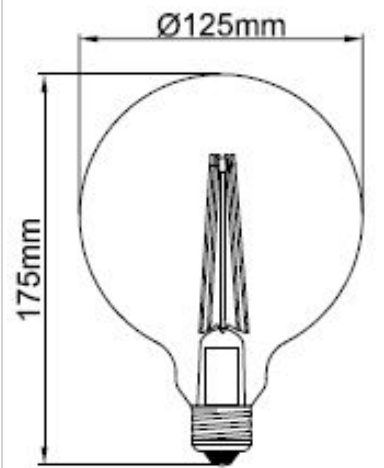


KDFL04G125/B22-GLD

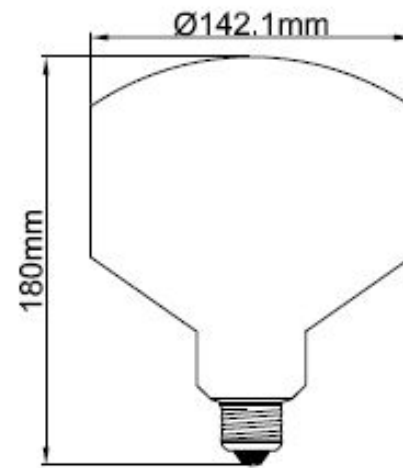


R125-B22 (IEC 60630)

KDFL04G125/E27-GLD-N27

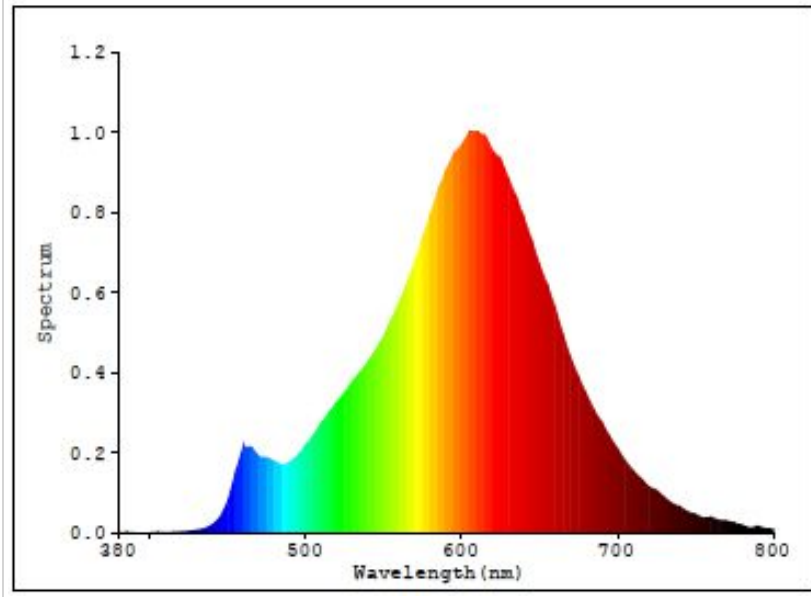


KDFL04G125/E27-GLD



R125-E27 (IEC 60630)

KDFL04G125/B22-GLD-N27
KDFL04G125/E27-GLD-N27



Compatibility

It is important to appreciate that not all dimmer switches will provide effective, smooth and flicker free dimming. The operation of common mains voltage AC dimmers appears similar but the electrical characteristics vary significantly. While this makes no difference to filament lamps, the effect on the electronics within the LED lamp can be dramatic and are often incompatible. Please note that all information in this guide is based on testing under laboratory conditions and should be used as guidance only. Because of the complicated application environment, the huge variation in dimmer construction from one model to another it is not possible to guarantee that a lamp will work with a particular dimmer and undesirable effects could be observed even with recommended dimmer switches. In extreme cases incompatible dimmer switches may damage the lamps. Please ensure that the set-up is tested for performance before committing to a large project.

Recommended Dimmer Switches:

Manufacturer	Model	Marked Rating	Notes
Aurora	AU-DSP400X	400W	1 to 20 lamps. Approximately 85% dimming.
BG	DM400AP	5-50W LED	1 to 20 lamps. Approximately 70% dimming.
Click	CMA145 (or MD9022)	250W	1 to 20 lamps. Approximately 80% dimming.
Hamilton	H-GDM400W	400W	1 to 20 lamps. Approximately 75% dimming.
Hamilton	H-GDMTM250 (Touch)	250W	1 to 20 lamps. Approximately 95% dimming.
Hamilton	H-LEDStat	100w	1 to 20 lamps. Approximately 95% dimming.
Hamilton	L400/2 (or N4002)	400W	1 to 20 lamps. Approximately 75% dimming.
Varilight	Eclique (JDQI401S)	400W	1 to 20 lamps. Approximately 95% dimming.
Varilight	LEDLite (VLLQ1W from TLC)	120W	1 to 20 lamps. Approximately 75% dimming.
Varilight	V-Dim	400W	1 to 20 lamps. Approximately 75% dimming.
Varilight	V-Pro	100W LED	1 to 20 lamps. Approximately 95% dimming.
Zano	ZGRID500	50W LED	1 to 20 lamps. Approximately 80% dimming.

Datasheet generated from <https://www.electrika.com> last updated Friday, April 26, 2019 11:21:40 AM