



KCDLLS08FR65

8w LED Downlight with Faceted Reflector, 86mm, IP65



Product Overview

The Kosnic LED Commercial Downlight range are retrofit LED lighting for widely used 3, 4, 6 and 8 inch fluorescent downlights. The LED Commercial Downlights are now available with a distinctive faceted white reflector and a recessed light source. The range offers affordable products with high lumen efficiency and a long life. Furthermore the downlights are compatible with Kosnic's emergency module.

Features

IP65 rated

Flicker-free Class II IP20 independent driver as standard

Compatible with the CEW03LIL/N Universal Emergency Module

High lumen output.

Long life of 40,000h.

Instant start.

Negligible UV output.

Mercury free.

Emergency Module Compatible

The LED Commercial Downlight range is compatible with the Kosnic emergency module, which provides power in the event of a cut in the supply. The emergency module requires an additional un-switched supply and the battery will supply the luminaire for over 3 hours at a reduced output.

Unit D2 Kennetside, Bone Lane

Newbury, Berkshire

T: 01635 523 713 E: sales@kosnic.com W: <http://www.kosnic.com>

Specifications

	KCDLLS08FR65-W40-WHT	KCDLLS08FR65/SCT-WHT
Shape / Type	Downlight	-
Colour Finish	White Bezel	-
Nominal Power (W)	8	-
Total Lumens (lm)	400	-
Input Current (mA)	38	-
Input Voltage	220-240Vac 50-60Hz	-
CCT Temperature (k)	4000	-
CCT Name	Cool White	-
Rated Life (hrs)	40000	-
Nominal Lifetime (hrs)	40000	-
Switch Cycles	50000	-
Peak Candelas (cd)	230	-
Beam Angle (°)	80	-
CRI	85	-
Dimmable	No	-
Suitable for Accent Lighting	Yes	-
Power Factor	0.91	-
IP Rating	IP65	-
Class Protection	Class III	-
Connection	Driver wiring leads	-
Start Time (s)	0.30	-
Warm-up Time (s)	Instant full light	-
Width (mm)	136	-

Unit D2 Kennetside, Bone Lane
Newbury, Berkshire

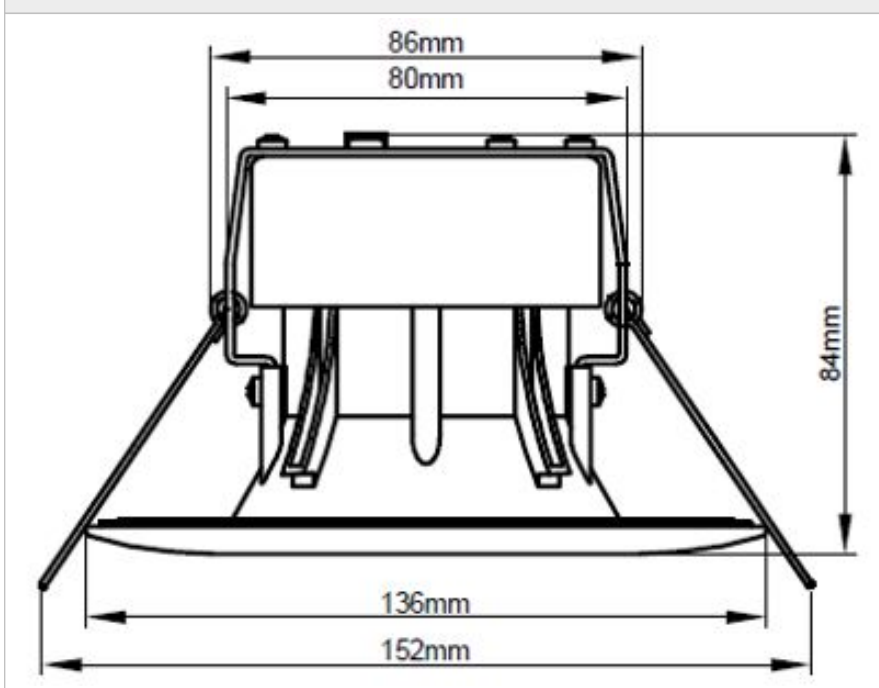
T: 01635 523 713 E: sales@kosnic.com W: <http://www.kosnic.com>

Depth (mm)	84	-
Cut-out (mm)	86	-
Mercury (mg)	0	-
Rated Power (W)	8	-
Rated Luminous Flux (lm)	400	-
LMF at Lifetime	0.75	-
SDCM of CCT	< 6	-
Ambient Temperature (°C)	-20 to 40	-
Compatible Emergency Module	CEW03LIL/N	-
Emergency Luminous Flux	180	-

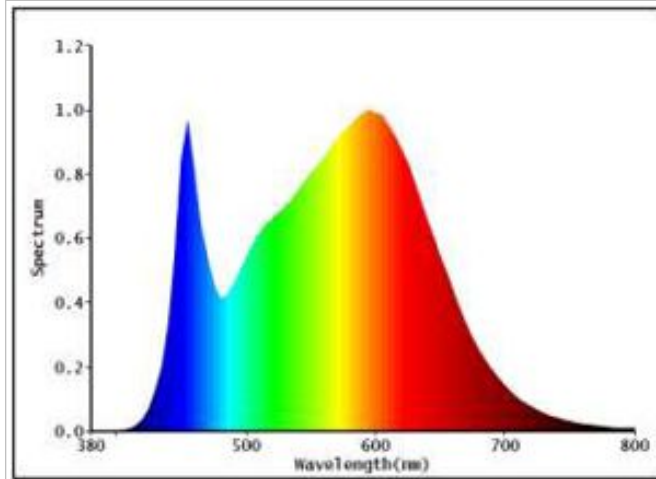
Packaging

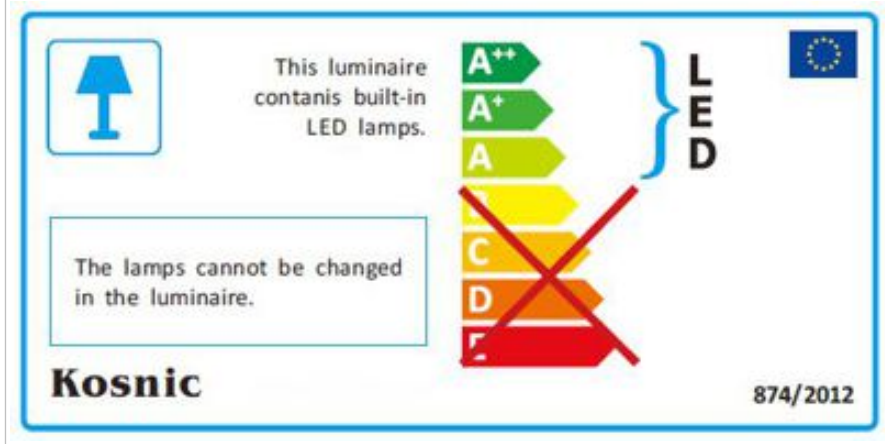
	KCDLLS08FR65-W40-WHT	KCDLLS08FR65/SCT-WHT
Outer Box Length (mm)	284	-
Outer Box Width (mm)	284	-
Outer Box Height (mm)	325	-
Volume	0.0262132	-
Box Quantity	12	-
Outer Box Weight (kg)	5.2	-

KCDLLS08FR65-W40-WHT



KCDLLS08FR65-W40-WHT





Datasheet generated from <http://www.electrika.com> last updated Monday, May 21, 2018 9:27:10 AM