



INSTALLATION INSTRUCTIONS

DESCRIPTION - 50W IOT Indoor Controller

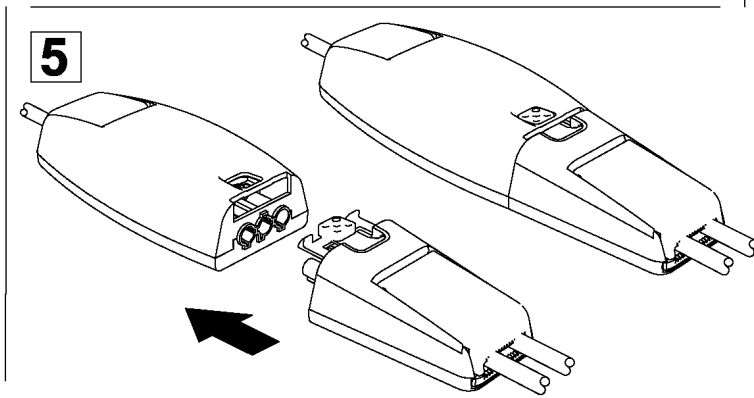
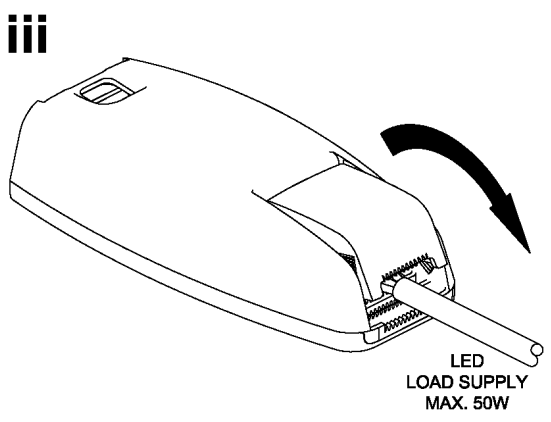
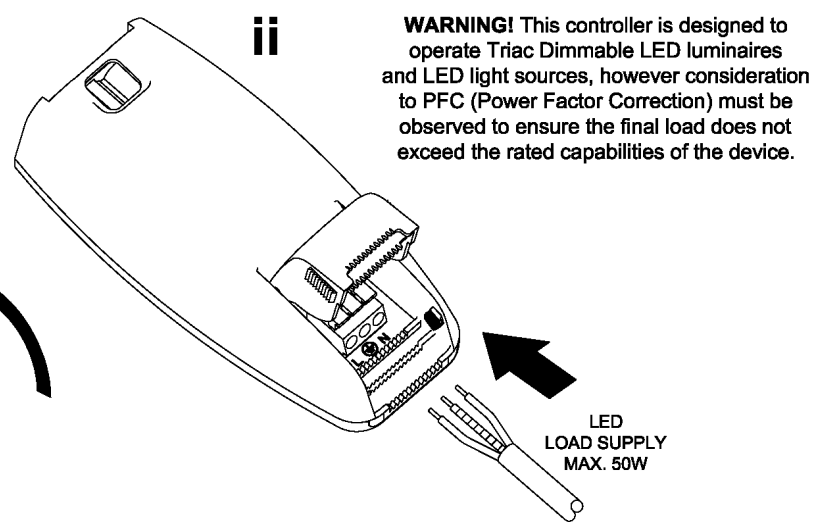
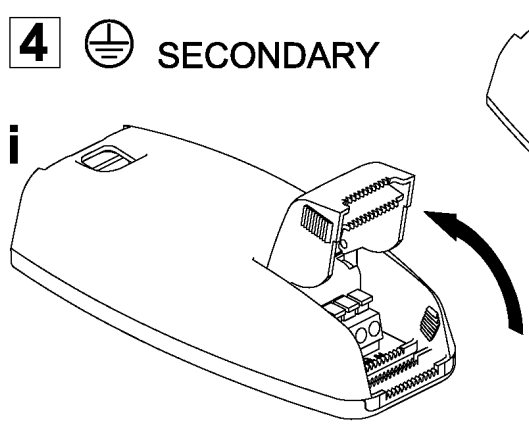
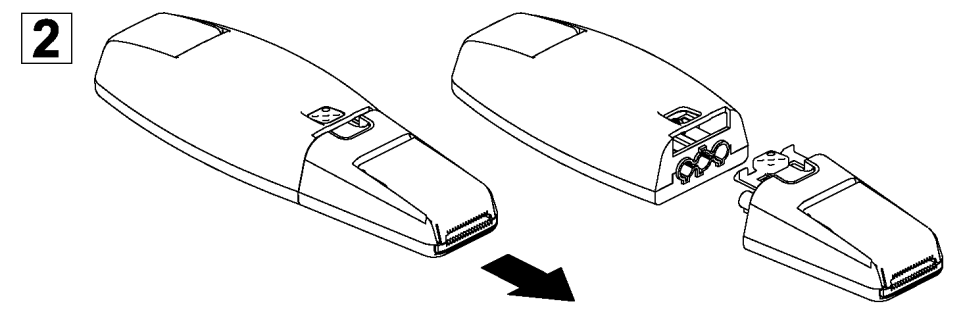
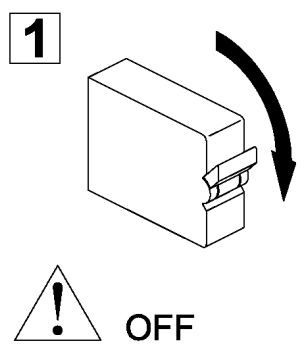
PRODUCT CODE(S) - AOCTO/IC/50

APPROVALS & CLASSIFICATIONS

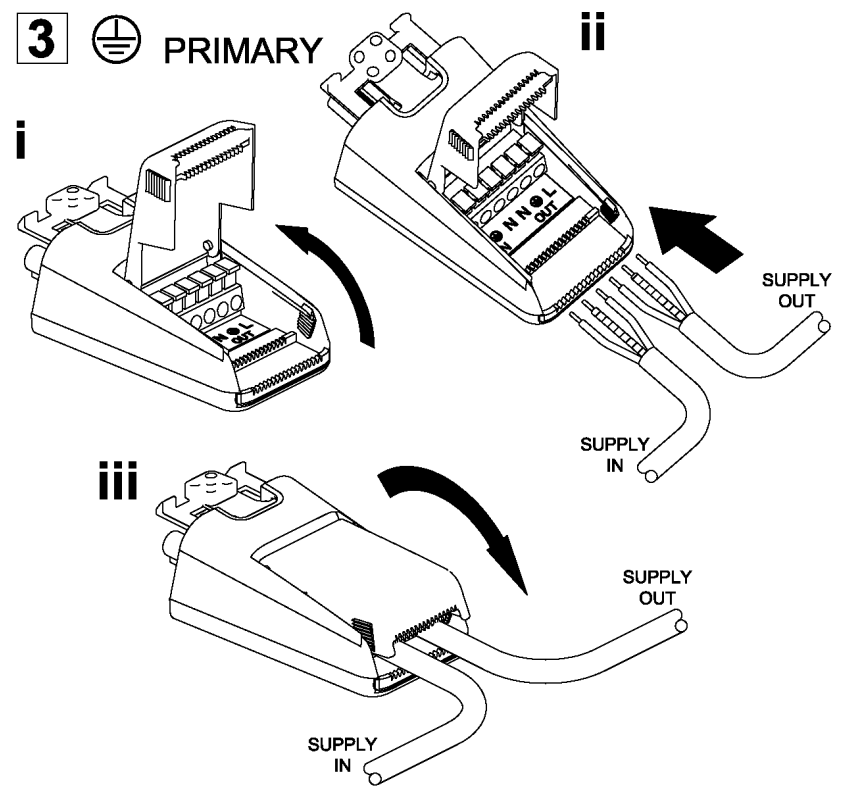
IP20

SPECIFICATION

Voltage: 220-240V
 Rated Wattage: 50W Max.
 Frequency: 50/60Hz



WARNING! This controller is designed to operate Triac Dimmable LED luminaires and LED light sources, however consideration to PFC (Power Factor Correction) must be observed to ensure the final load does not exceed the rated capabilities of the device.



IMPORTANT INFORMATION

- It is recommended that luminaires are installed and fitted by a qualified electrician ensuring the installation complies to the current IET wiring regulations.
- These instructions should be read carefully and retained after installation for future reference and maintenance.
- Ensure all electrical connections are secure and that there are no loose strands.
- Range is highly dependent on the units surroundings and obstacles, such as walls and building materials.
- Octo uses mesh network technology so each unit acts also as a repeater. Longer ranges can be achieved by using multiple Octo units.

