

# Installation Instructions

Luminaire Code(s) – **AADLED/**

## General Installation Instructions

**These instructions should be read carefully prior to any installation and retained after completion for further reference and maintenance. Please give these instructions to the building owner/occupier after installation.**

### Important Safety

1. Before installation, maintenance or lamp replacement, ensure that the mains supply to the luminaire is switched off and the circuit supply fuses are removed or the circuit breaker is turned off.
2. It is recommended that only a qualified electrical contractor carries out the installation of this luminaire and that the luminaire is installed in compliance with the current edition of the IEE Wiring Regulations.
3. The person carrying out the installation is to check and verify that the total load on the circuit, including that of this luminaire does not exceed the rating of the circuit cable, fuse or circuit breaker.
4. Where a luminaire incorporates discharge control gear (inductive load), the circuit capacity and ratings require careful sizing to avoid nuisance tripping of the protective device used in the installation.
5. Where applicable, careful consideration should be taken during installation to ensure that all fixings and/or suspensions are of a suitable size for the luminaire being installed.

### Ratings

1. All luminaires are manufactured & tested in compliance with the requirement contained within BS EN 60598 and are CE marked.
2. All luminaires that are of Class 1 construction and that are marked accordingly, **MUST** be earthed.
3. All luminaires are designed to operate at 230Volts AC -6%/+10% = 216Volts to 252Volts. Do not operate outside these voltages.
4. All luminaires are only suitable for applications within their rated Ingress Protection limits as stated.
5. Not recommended for prolonged periods of use; Max 8 hours per day.
6. Max ambient temperature 25°C

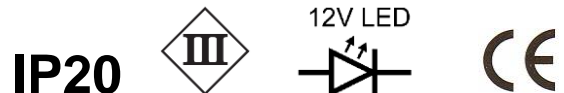
---

### Information - Required components (Sold Separately)

- AD30W/12V/ AD75W/12V - 12V DC LED Driver.
- ACLED/ML – Mains Lead.

### Installation

- Select a suitable mounting location to install the LED strip. Care should be given to ensure adequate ventilation for luminaire. This luminaire is not suitable for high temperature areas.
- Ensure the surface that the strip will be applied to is clean and free from grease. **Please Note: LED strip to be mounted only to heat conductive surfaces that will offer adequate heat dissipation.**
- If required cut the LED strip down at any of the cutting junctions (please see Fig 1.).
- **Please Note – Once the LED strip is cut this is a DEAD END and the off cut cannot be used.**
- Peel adhesive cover and mount onto the intended surface.
- Using a mains lead (ACLED/ML) connect to a suitable 12V LED Driver (Ansell part code AD30W/12V = 2M Max, AD75W/12V = 5M Max).
- When connecting the mains lead (ACLED/ML) or using connectors / link leads, please ensure the polarity is aligned (please see Fig 2).
- Restore the power supply and test for correct operation.



### Maintenance:

1. This luminaire contains no serviceable parts.

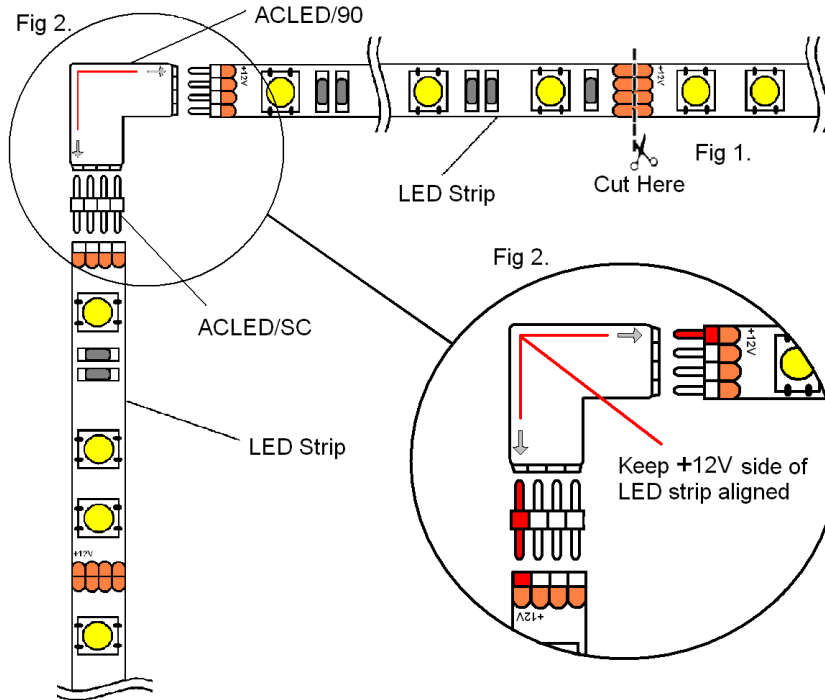


#### **Disposal of Electronic Equipment WEEE Directive 2002/96/EC**

This product falls within the scope of the Waste Electrical & Electronic Equipment Directive (WEEE), which means the product should not be disposed of as normal household waste. Ensure that this luminaire and lamp is disposed of in accordance with the WEEE Directive. Contact a local Council Waste Dept. Local Amenity Site, or the Environment Agency for further information. **RoHS** - All components and materials used in this product are **RoHS** 2002/95/EC compliant.

+ - Red / Brown, -- Black / Blue





**Maintenance:**

1. This luminaire contains no serviceable parts.



**Disposal of Electronic Equipment WEEE Directive 2002/96/EC**

This product falls within the scope of the Waste Electrical & Electronic Equipment Directive (WEEE), which means the product should not be disposed of as normal household waste. Ensure that this luminaire and lamp is disposed of in accordance with the WEEE Directive. Contact a local Council Waste Dept. Local Amenity Site, or the Environment Agency for further information. **RoHS** - All components and materials used in this product are **RoHS** 2002/95/EC compliant.

+ - Red / Brown, -- Black / Blue

